

# NAFLIC

*National Association For Leisure Industry Certification*

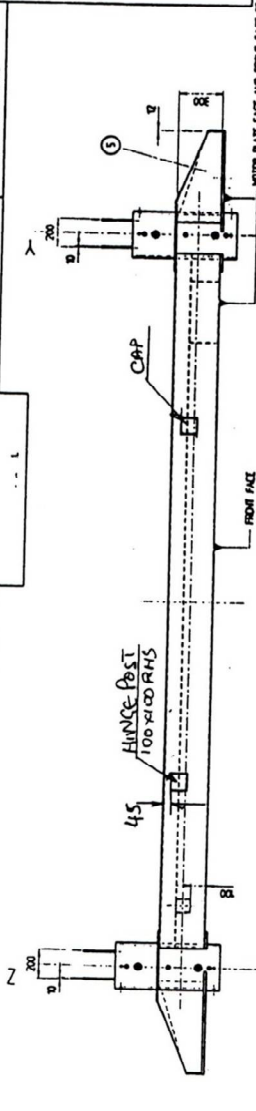
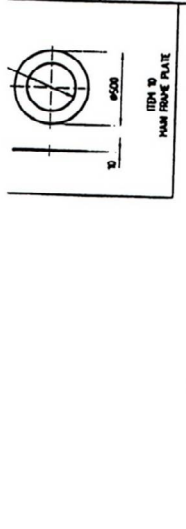
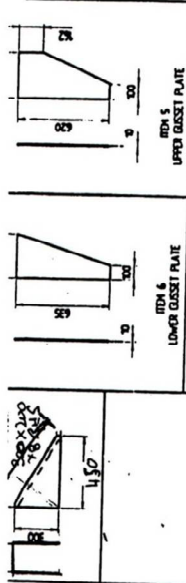
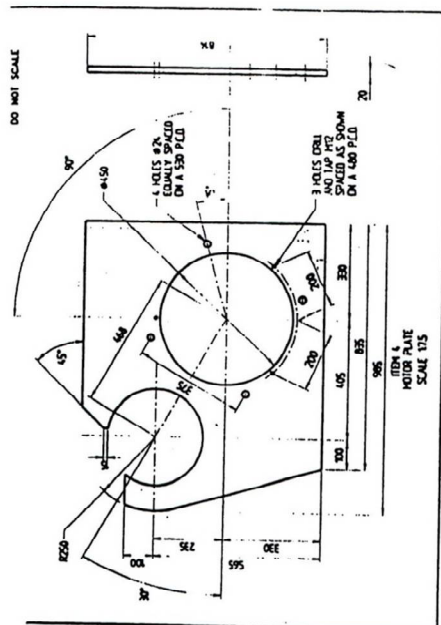
Standards & Related Documents Committee

TECHNICAL BULLETIN — October 2015

## **399. Nottingham UK Miami Trip defect**

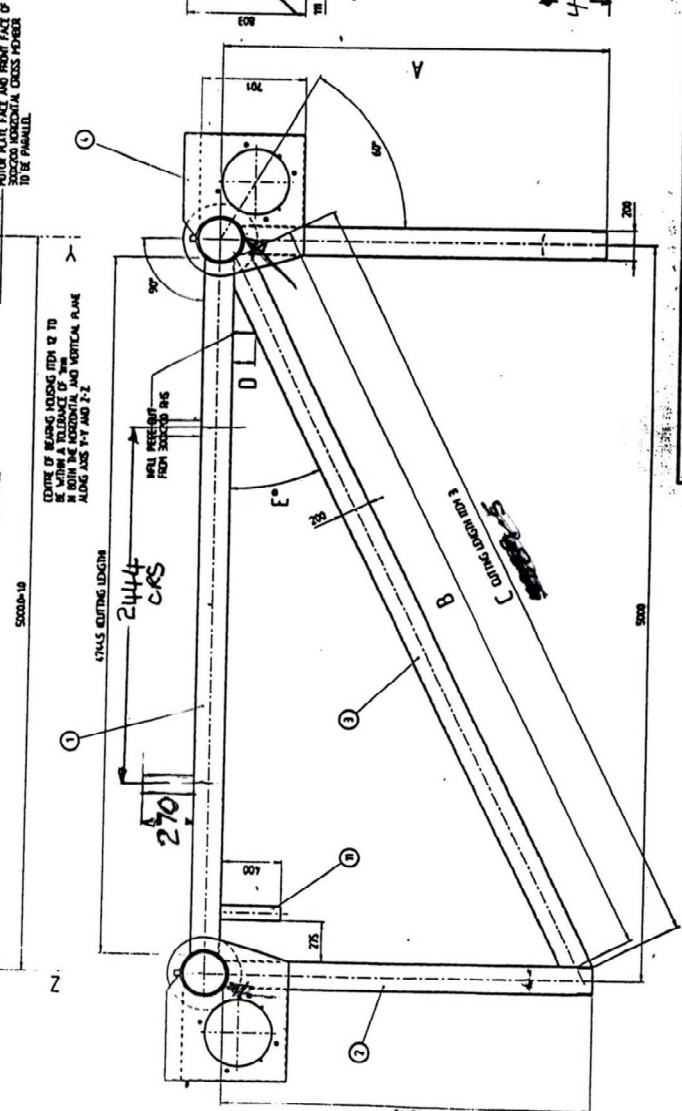
A defect has been identified on a Nottingham UK Miami Trip of around 10 years old. A crack has formed at the weld between the bearing housing and the hydraulic motor mounting plate. This is believed to be a 'one off' incident and it is understood that the ride's use may be heavier than the normal use expected for this type of device. Operators and IBs are reminded to inspect this area carefully.

Committee Members: Mr. D Dadswell (Chairman), Mr. A Mellor (Secretary), Mr. P Smith, Mr. J Green,  
Mr. D Cox, Mr. M Thirkettle, Mr. I Davies, Mr. J Shilling & Mr. D Inman



ITEM	QTY	DESCRIPTION	CUTTING SIZE
1	2	UPPER BASKET PLATE	500x250x10
2	2	LOWER BASKET PLATE	500x250x10
3	2	MAIN FRAME PLATE	500x1000x10
4	2	HINGE POST	100x50x75
5	2	UPPER BRACKET BAR	300x250x6
6	2	LOWER BRACKET BAR	300x250x6
7	2	RAI	Ø50x100x10
8	2	PIN	Ø100x50x75

CHASSIS TYPE	DM A	DM B	DM C	DM D	DM E
STANDARD	2000	5500	5500	5500	26.5°
SHOPS	2000	5500	5500	5500	25°
SHEDS	2000	5500	5500	5500	23.5°



TITLE 1			
80-86 PERSON SWING FRAME			
TRAPEZE CHASSIS			
Rev	Date	By	Appr
1			
2			
3			
4			
5			
6			
7			
8			
9			
10			
11			
12			
13			
14			
15			
16			
17			
18			
19			
20			
21			
22			
23			
24			
25			
26			
27			
28			
29			
30			
31			
32			
33			
34			
35			
36			
37			
38			
39			
40			
41			
42			
43			
44			
45			
46			
47			
48			
49			
50			
51			
52			
53			
54			
55			
56			
57			
58			
59			
60			
61			
62			
63			
64			
65			
66			
67			
68			
69			
70			
71			
72			
73			
74			
75			
76			
77			
78			
79			
80			
81			
82			
83			
84			
85			
86			
87			
88			
89			
90			
91			
92			
93			
94			
95			
96			
97			
98			
99			
100			

Committee Members: Mr. D Dadswell (Chairman), Mr. A Mellor (Secretary), Mr. P Smith, Mr. J Green, Mr. D Cox, Mr. M Thirkettle, Mr. I Davies, Mr. J Shilling & Mr. D Inman