



A.R.M. (USA), INC
1506 Fernwood Rd.
Wintersville, OH 43953
740.264.6599
740.266.2953 Fax

Bulletin No: SB050216
Release Date: MAY 2, 2016
Effective Date: MAY 2, 2016
Supersedes: N/A
Completion Date: MAY 31, 2016
Page: 1 OF 3

SERVICE BULLETIN

Manufacturer: **A.R.M. (USA). Inc.**
Ride Name: **Vertigo**

Model(s): **VG100, VG200, & VG300**
Affected Production Dates: **2010-2015**

**AFFECTED
SERIAL
NUMBERS**

ABSTRACT OF ISSUE

A mandatory requirement to drain and inspect the ride rotational gearbox oil and add an oil expansion tank in combination with maximum oil fill capacity. A.R.M. (USA), Inc. will supply the oil tank kit at no cost. Compliance to begin once the oil expansion tank kit is received. It continues to be recommended that the ride rotational gearbox oil be changed annually, as stated in the ride manual.

REASON FOR RELEASE

To increase service life of internal gearbox components.

ACTION TO BE TAKEN

Upon receipt of this Service Bulletin, phone A.R.M. (USA), Inc. parts department and supply current shipping address. Once the oil expansion tank is received, follow the instructions listed in the Detail of Issue section below.

DETAIL OF ISSUE

Detail of Issue:

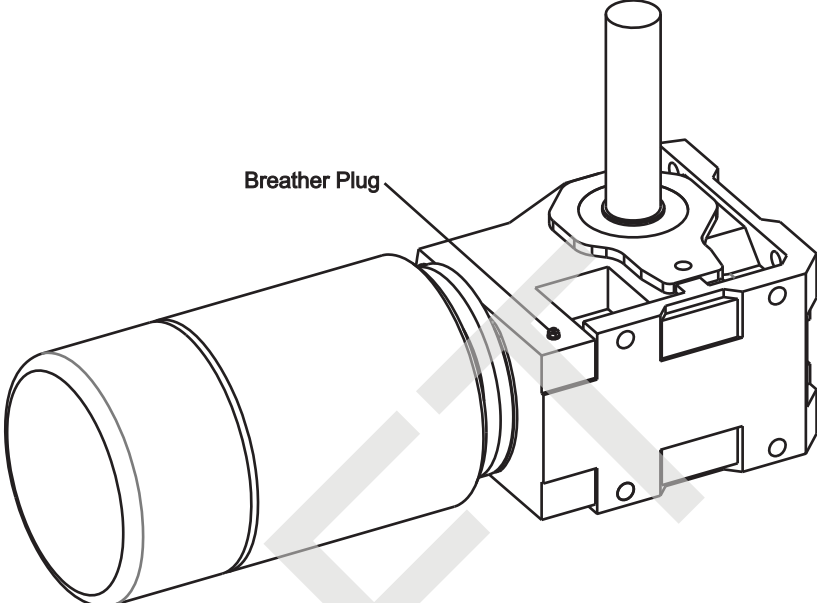
1. Remove auto vent breather from top side of gearbox and discard;
2. Remove a plug from the bottom side of the gearbox and drain existing oil entirely into a clean container;
3. Inspect oil for contaminants and for foreign debris. If either are found, consult with A.R.M. (USA), Inc. service department before proceeding;
4. Reinstall bottom drain plug;
5. Remove top screw plug in area as indicated on drawing. Swap with original auto vent breather location.
6. Fill gearbox complete with ISO220 Synthetic Oil (21.5 Liters);
7. Install oil expansion tank in location as indicated on drawing.
8. Remove breather from top side of oil expansion tank.
9. Continue to fill oil through the breather port on the top side of the oil expansion tank until level is indicated half way on lower, large, site glass of oil expansion tank.
10. Install breather removed in step 8 into top port of oil expansion tank.

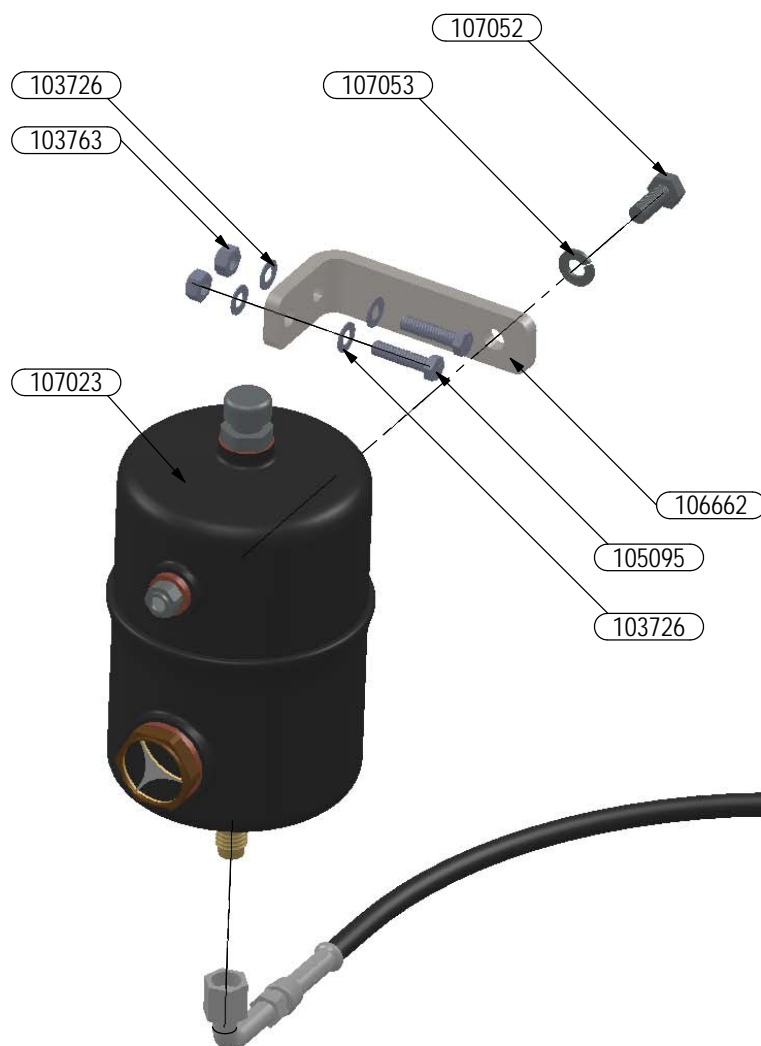
NOTICE

ONLY COMPONENTS SPECIFIED, AUTHORIZED, OR PROVIDED BY A.R.M. (US), INC. SHALL BE USED
A.R.M. (US) INC. SPECIFICALLY DISCLAIMS ANY LIABILITY ASSOCIATED WITH THE USE OF
UNAUTHORIZED COMPONENTS OR MODIFICATIONS AND/OR ALTERATIONS OF AUTHORIZED COMPONENTS.

100 SERIES:
VG101-07-01-09
VG102-07-01-10
VG103-05-21-11
VG104-04-01-12
VG105
VG106
VG107
VG108
200 SERIES:
VG201-01-30-10
VG202-03-13-10
VG203-05-01-10
VG204-06-10-10
VG205-08-15-10
VG206-08-15-10
VG207-01-29-11
VG208-06-25-11
VG209-01-05-12
VG210
VG211
VG212
VG213
VG214
300 SERIES:
VG301-03-05-11
VG302-10-01-11
VG303-01-05-12
VG304
VG305

EXPANSION TANK KIT INSTALLATION





PART NUMBER	DESCRIPTION	QTY.	Note
103726	Washer - 1/4" SAE Flat GR2 Zinc	4	
103763	Nut - 1/4"-20 Hex GR5 Zinc Nylon Lock	2	
105095	Bolt - 1/4"-20 X 1" Hex GR5 Zinc	2	
106662	Plate - 1/4" A36	1	
107023	Expansion Tank - Brevini #V100428	1	
107029	Adapter - HYD MJ X 12MM 90'	1	
107048	Hose - Hydraulic Assembly 20-1/2"	1	1
107052	Bolt - M8-1.25 X 20mm 8.8 Zinc	1	
107053	Washer - 8mm Split Lock Zinc	1	
107077	Hose - Hydraulic Assembly 132"	1	2
Note 1	For Vertigo 200, 300 & 400 Series		
Note 2	For Vertigo 100 Series Only		



PRODUCTION MODELS VG100/VG200/VG300/VG400	QTY 1	MASS 3.36lb	A.R.M. (US), INC. WINTERSVILLE, OH 43953 PROPRIETARY & CONFIDENTIAL
PRODUCTION MODELS	QTY 0	SCALE 1:3	
PRODUCTION MODELS	QTY 0	FILE LOCATION C:\Data\Solids\Vertigo 200\	PAGE 1 of 1
PRODUCTION MODELS	QTY 0	SIZE A	PART NUMBER VL0136
CREATED 4/27/2016	MODELER D Macek	PRINTED 5/5/2016	MATERIAL/DESCRIPTION Kit - Oil Expansion Tank