



NUMBER: B400R1098-0

DATE: MAY 10, 1991

SUPERSEDES:

---

---

## SERVICE BULLETIN

---

---

Effective Serial Number: All Portable Units - Chance Rides, Inc.

Ride: GIANT WHEEL

Subject: Warning Decal/Tape

Chance Rides, Inc. has added decals and tape to the GIANT GONDOLA WHEEL to alert individuals of the possible pinch points between the trailers as they are drawn together during set-up and around the hydraulic lift platform during installation of gondolas. Chance Rides, Inc. requires all owners of portable GIANT GONDOLA WHEEL amusement rides to order and install these warning items as outlined in this bulletin. Failure to comply with this bulletin could result in injury to personnel. All personnel must be made aware of potential pinch points and instructed to stay clear of these areas.

All work must be performed by aualified personnel, capable of understanding the function of the parts and their proper installation.

### NOTICE

Use only those components authorized, specified or provided by Chance Rides, Inc.

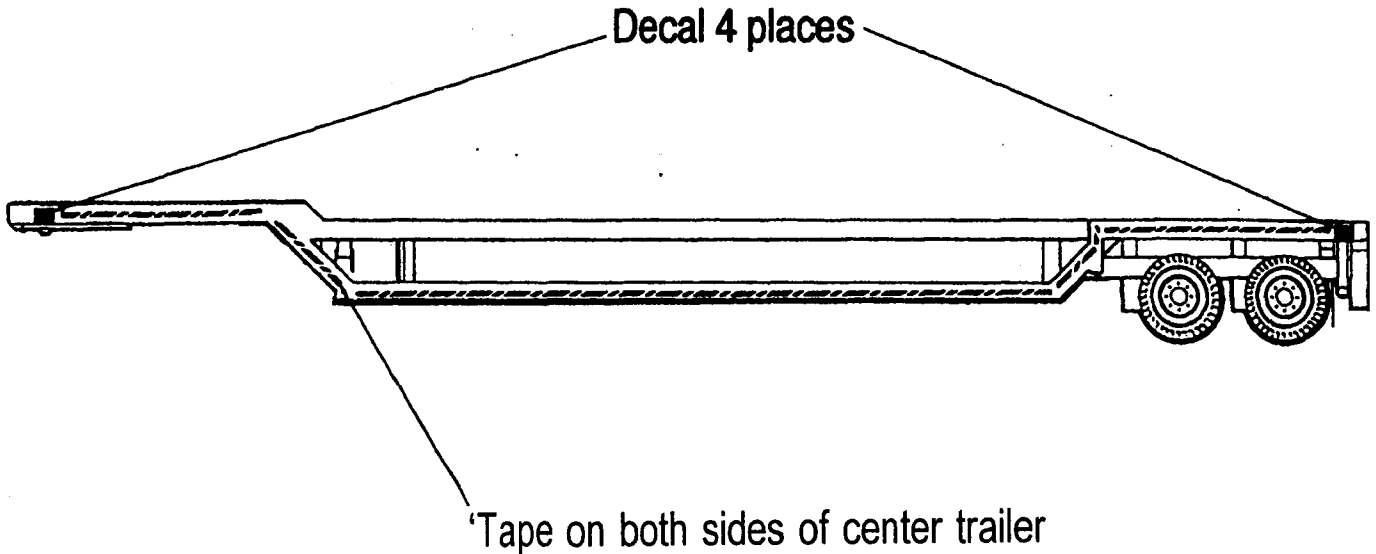
Chance Rides, Inc. SPECIFICALLY DISCLAIMS ANY LIABILITY for losses associated with any unauthorized alterations and/or modifications or additions and installations of unauthorized components.

PARTS LIST

<u>Item</u>	<u>Part Number</u>	<u>Description</u>	<u>Quantity</u>
1.	26762500	Decal	8
2.	45001500	Tape	4 rolls

INSTALLATION INSTRUCTIONS

1. Apply one decal (item #1) to each of the four inside corners of the center trailer.
2. Apply tape (item #2) to both sides of the center trailer at areas where trailers come together.



3. Apply one decal (item #1) to the inside of the trailer frame at the four corners where the lift platform meets the trailer frame.
4. Apply tape (item #2) around top edge of lift platform and at points on trailer frame as shown.

