

Ride distributed by:  
 Zamperla, Inc.  
 49 Fanny Road  
 Boonton, New Jersey 07005  
 USA  
 Phone: 973 334 8133 Fax: 973 334 6880



Bulletin No: 2014 CB01
Release Date: October 1, 2014
Effective Date: October 1, 2014
Supersedes: n/a
Completion Date: Prior to 2015 Operation
Page: 1 of 2

## SERVICE BULLETIN

Ride Manufacturer: A. Zamperla SpA	Affected Production Dates: ALL
------------------------------------	--------------------------------

Ride Name: Crazy Bus, Crazy Sub, Crazy Plane, Fire Chief	Affected Serial Nos.: ALL
--	---------------------------

Model Number: Crazy Bus, Crazy Sub, Crazy Plane, Fire Chief

Abstract Of Issue:  
 Installation of the redundancy kit.

Reason For Release:  
 To introduce a redundant system to the drivetrain.

Action To Be Taken:  
 Use the attached page to determine the version of your ride. Contact Zamperla Inc. (973 334 8133) to obtain the correct version redundancy kit (provide serial number). Follow the procedure to install the redundancy kit on your ride. Procedure will be provided with kit.

Detail Of Issue:  
 Determine the version of ride (refer to page 2 of 2).  
 Follow procedure to install the redundancy kit, which will be provided with the kit when it is delivered.

Future Action To Be Taken:

Daily:

- Inspect chain is intact and shows no signs of damage or wear.
- Visually inspect torque stripes.
- Verify tensioner is adjusted properly.

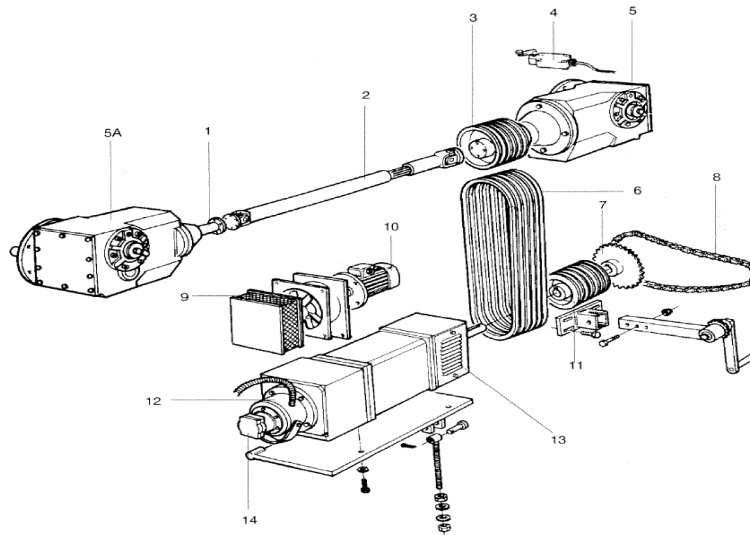
Weekly

- Grease chain.

# How to determine the version of my ride?

## Horizontal Motor “drive belts”

Requires Redundancy Kit 9369232000A



---

## Vertical Motor “no drive belts”

Requires Redundancy Kit 9369235000A

